

O903

R093

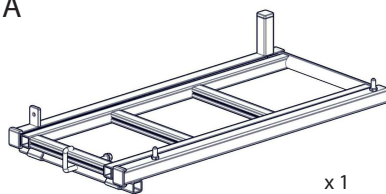


30 mn



kg
6.2

A



x 1

V1



M8-100

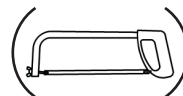
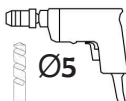
x 1

V2



M8

x 3



* 8 0 8 0 1 0 7 1 *

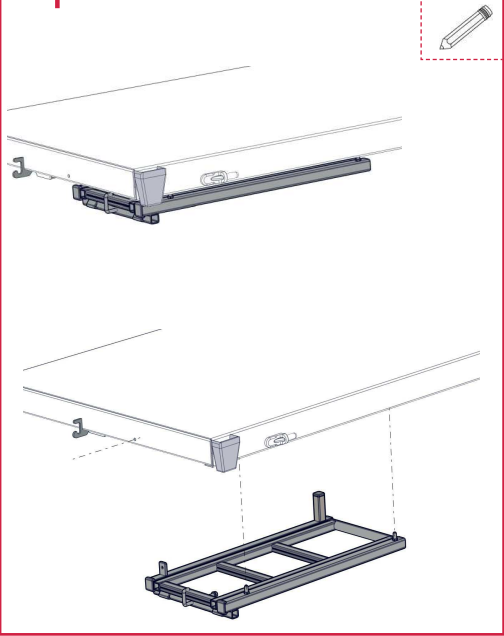
ESCABEAU 3 MARCHES
SLIDING 3 STEP-LADDER
SCHIEBETRITTLER 3 STUFEN

NOT-0045

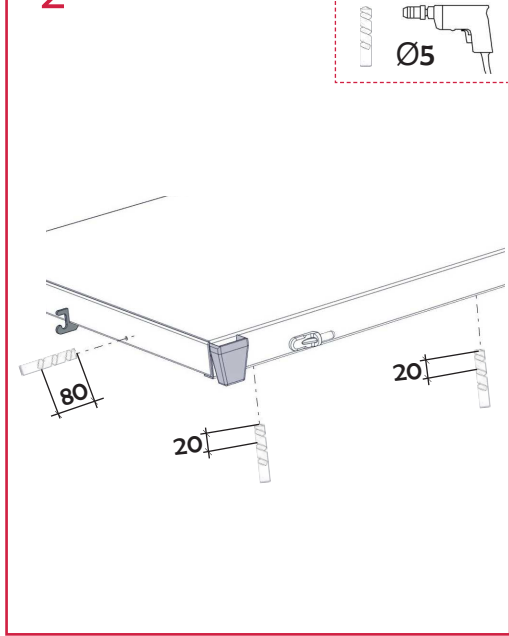
IM03

30/08/23

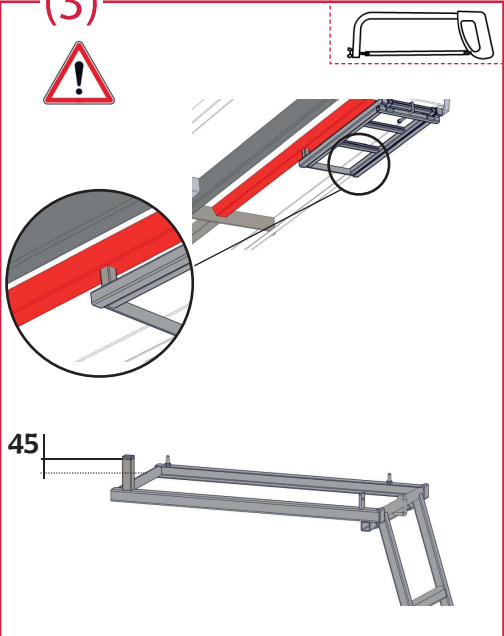
1



2



(3)



4

